

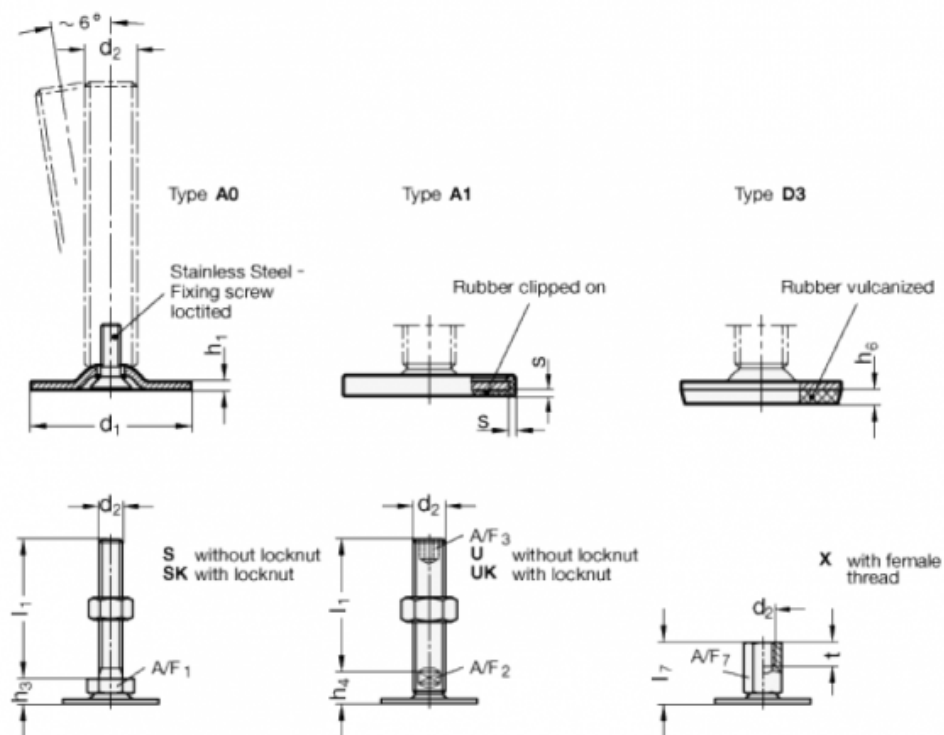
Article number: 204040M1028A1X

Description: E+G levelling foot

GN 40-40-M10-28-A1-X

Note: X With female thread, External hexagon

Measures



A/F7	= 14
d1	= 40
d2	= M10
h1	= 2
h6	=
l7	= 28
s	= 1.5
t	= 10